



MAXI



U_d VALUE
(W/m² * K)



MAXIMUM
LOAD



PROTECTIVE
FEET



SEALS



HANDRAIL



YEARS
GUARANTEE



The mark of
responsible forestry



COMPLIANCE WITH
THE STANDARD

OMAN[®]

CLASSIC

EI

MINI

FLEX

SOLID

LONG

The MAXI loft ladder has got double sealing and hatch thickness 56mm, which makes them perfect for all conditions, while contributing to reducing the costs associated with heating a house or apartment. This ladder is equipped with non-slip feet, which perfectly adhere to the ground and prevent scratches on the floor surface. Our non-slip feet included in MAXI loft ladder provide an aesthetic finish for the ladder after cutting. To increase security and for comfortable use our MAXI loft ladder is also equipped with stable and durable handrail. In the interest of user convenience, the handrail has been designed in such a way that it can be mounted on the left or right side depending on customer preferences. The excellent quality of materials used for the production of stairs and attention to every details of finish cause that the stairs will satisfy even the most demanding customers. The maximum load during use is up to 160 kg.

Technical specification

INSULATED HATCH THICKNESS	56 mm
THICKNESS OF THERMAL INSULATION	50 mm
HATCH COLOUR FROM BOTH SIDES	WHITE
WOODEN LADDER	3 SECTIONS
HEIGHT OF WOODEN BOX	170 mm
WIDTH OF LADDER	400 mm
WIDTH OF STEP	358 mm
DEPTH OF STEP	80 mm
LANDING SPACE	151 cm
OPENING DISTANCE/ANGLE	168 cm
MAXIMUM CEILING HEIGHT	280 cm

BOX DIMENSIONS [cm]

OUTER BOX DIMENSIONS, MOUNTING OPENING 2 CM LARGER

Width - B	Length - A				
	110	113	120	130	140
55			✓	✓	
60			✓	✓	
70			✓	✓	

Non-Standard dimensions

Min - Max Length	116 - 130 cm
Min - Max Width	54 - 70 cm

*Unusual dimensions available in full size of untypical stairs can not exceed 1 m²

Accessories



MASKING BATTEN

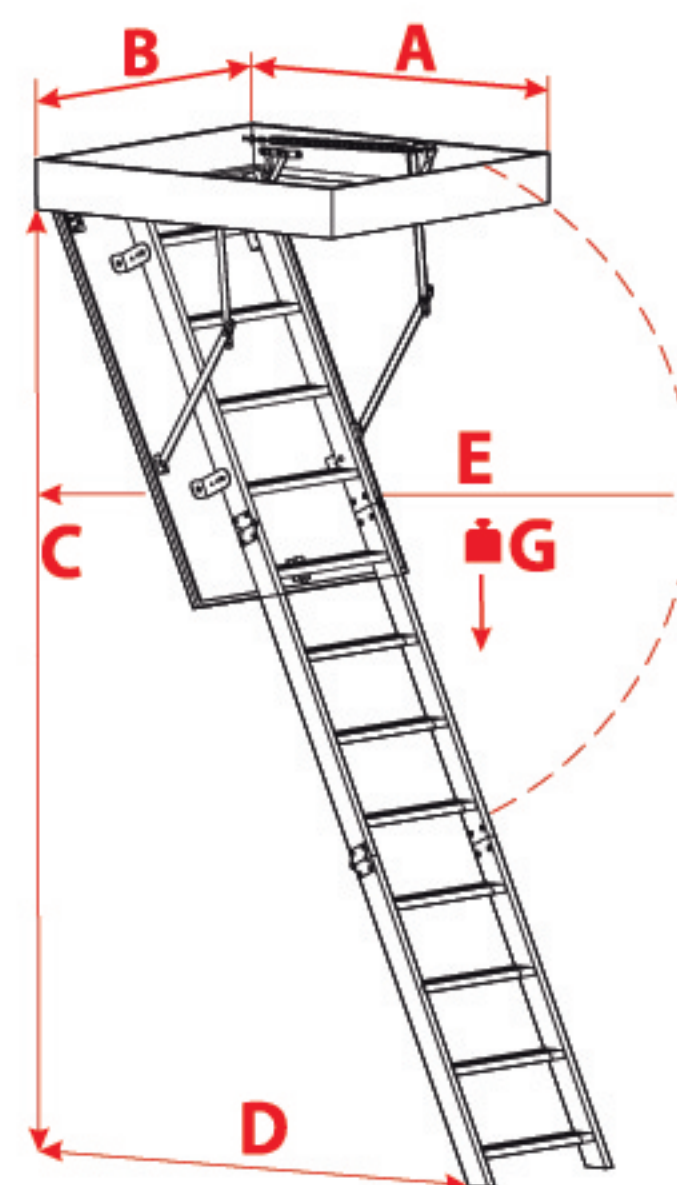


MOUNTING SYSTEM



HATCH BALUSTRADE

Technical draw



C	280 cm
D	151 cm
E	168 cm
G	160 kg