



MAXI PLUS



U_d VALUE
(W/m² * K)



160 KG
MAXIMUM LOAD



SEALS



TWO-POINT LOCK



PROTECTIVE FEET



TELESCOPIC
HANDRAIL



ADDITIONAL
STEP



5
YEARS
GUARANTEE



The mark of
responsible forestry



COMPLIANCE WITH
THE STANDARD

OMAN[®]

MAXI PLUS

56 mm

The MAXI PLUS loft ladders are characterized by the insulated hatch Ud value $0,7 \text{ W/m}^2\cdot\text{K}$ so that they are perfect in all terms and conditions, at the same time contributing to reducing the heating costs. The MAXI PLUS stairs have been equipped with the Zero Gravity handrail system – greatly facilitating entry into the attic, solid two-point metal zip and double sealing. Of course, the best features of MAXI products were not lacking, such as a solid and insulated hatch with a thickness of 56 mm. The two-point lock guarantees a tight and reliable closing of the hatch and thanks to two long handrails the entry on the ladder is very convenient. The excellent quality of materials used for the production of loft ladders and attention to every detail of finish cause that the stairs will satisfy even the most demanding customers. Their maximum load during use is up to 160 kg.

Technical specification

INSULATED HATCH THICKNESS	56 mm
THICKNESS OF THERMAL INSULATION	50 mm
HATCH COLOUR FROM BOTH SIDES	WHITE
METAL-WOODEN LADDER	3 SECTIONS
HEIGHT OF WOODEN BOX	170 mm
WIDTH OF LADDER	400 mm
WIDTH OF STEP	358 mm
DEPTH OF STEP	80 mm
LANDING SPACE	151 cm
OPENING DISTANCE/ANGLE	168 cm
MAXIMUM CEILING HEIGHT	280 cm

BOX DIMENSIONS [cm]

OUTER BOX DIMENSIONS, MOUNTING OPENING 2 CM LARGER

Width - B	Length - A				
	110	113	120	130	140
55					
60			✓		
70			✓		

Non-Standard dimensions

Min - Max Length	On request
Min - Max Width	On request

*Unusual dimensions available in full size of untypical stairs can not exceed 1 m^2

Accessories



MASKING BATTEN

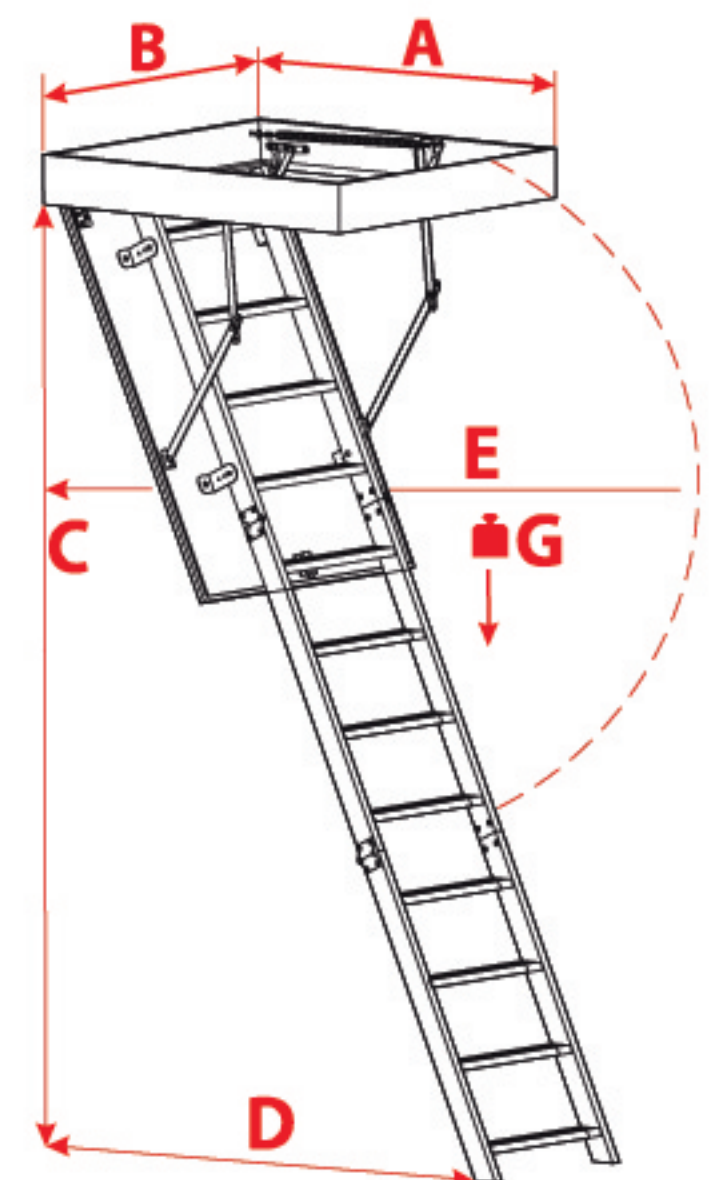


MOUNTING SYSTEM



HATCH BALUSTRADE

Technical draw



C	280 cm
D	151cm
E	168 cm
G	160 kg