



STALLUX TERMO



U_d VALUE
(W/m² * K)



MAXIMUM
LOAD



PROTECTIVE FEET



SEAL



HANDRAIL



YEARS
GUARANTEE



The mark of
responsible forestry



COMPLIANCE WITH
THE STANDARD

OMAN[®]

CLASSIC

EI

MINI

FLEX

SOLID

LONG

STALLUX TERMO

26 mm

The **STALLUX TERMO** loft ladders are characterized by single sealing and hatch thickness 26mm. The **STALLUX TERMO** model is ideally suited to install where the attic is insulated and does not require additional thermal insulation. The distinctive feature of the **STALLUX TERMO** loft ladder is the solid and extremely durable metal - wooden 3-section ladder. The loft ladders have anti skidding feet, they adheres perfectly to the ground, prevent from scratching of the floor and provide an aesthetic finish for the ladder after cutting. For increased safety and convenience of use, **STALLUX TERMO** loft ladders are equipped in a stable and durable handrail. In the interest of user convenience, the handrail can be installed on the left or right side - depending on the customer preferences. The excellent quality of materials used for the production of loft ladders and attention to every detail of finish cause that the stairs will satisfy even the most demanding customers. Their maximum load during use is up to 160 kg.

Technical specification

INSULATED HATCH THICKNESS	26 mm
THICKNESS OF THERMAL INSULATION	20 mm
HATCH COLOUR FROM BOTH SIDES	WHITE
METAL - WOODEN LADDER	3 SECTIONS
HEIGHT OF WOODEN BOX	135 mm
WIDTH OF LADDER	400 mm
WIDTH OF STEP	359 mm
DEPTH OF STEP	80 mm
LANDING SPACE	134/148 cm
OPENING DISTANCE/ANGLE	160/166 cm
MAXIMUM CEILING HEIGHT	280 cm

BOX DIMENSIONS [cm]

OUTER BOX DIMENSIONS, MOUNTING OPENING 2 CM LARGER

Width - B	Length - A				
	110	113	120	130	140
55	✓		✓	✓	✓
60	✓		✓	✓	✓
70	✓		✓	✓	✓

Non-Standard dimensions

Min - Max Length	110 - 140 cm
Min - Max Width	100 - 110 cm

*Unusual dimensions available in full size of untypical stairs can not exceed 1 m²

Accessories



MASKING BATTEN

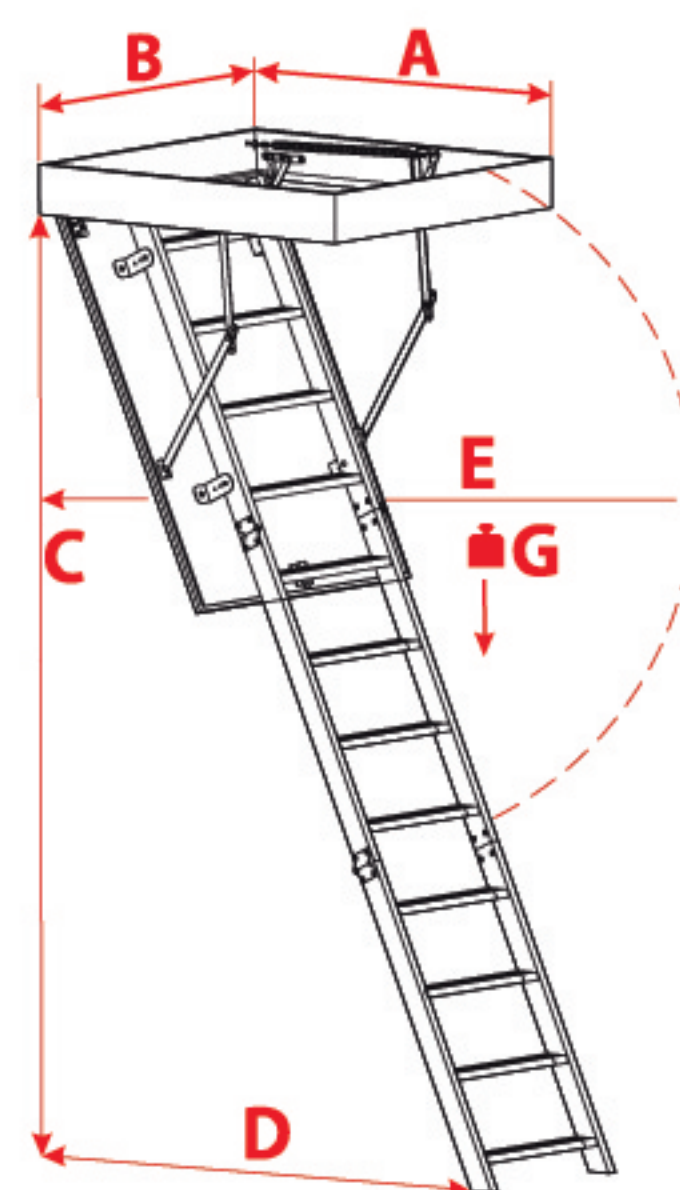


MOUNTING SYSTEM



HATCH BALUSTRADE

Technical draw



> 110 cm		< 110 cm	
C	280 cm	C	280 cm
D	148 cm	D	134 cm
E	166 cm	E	160 cm
G	160 kg	G	160 kg